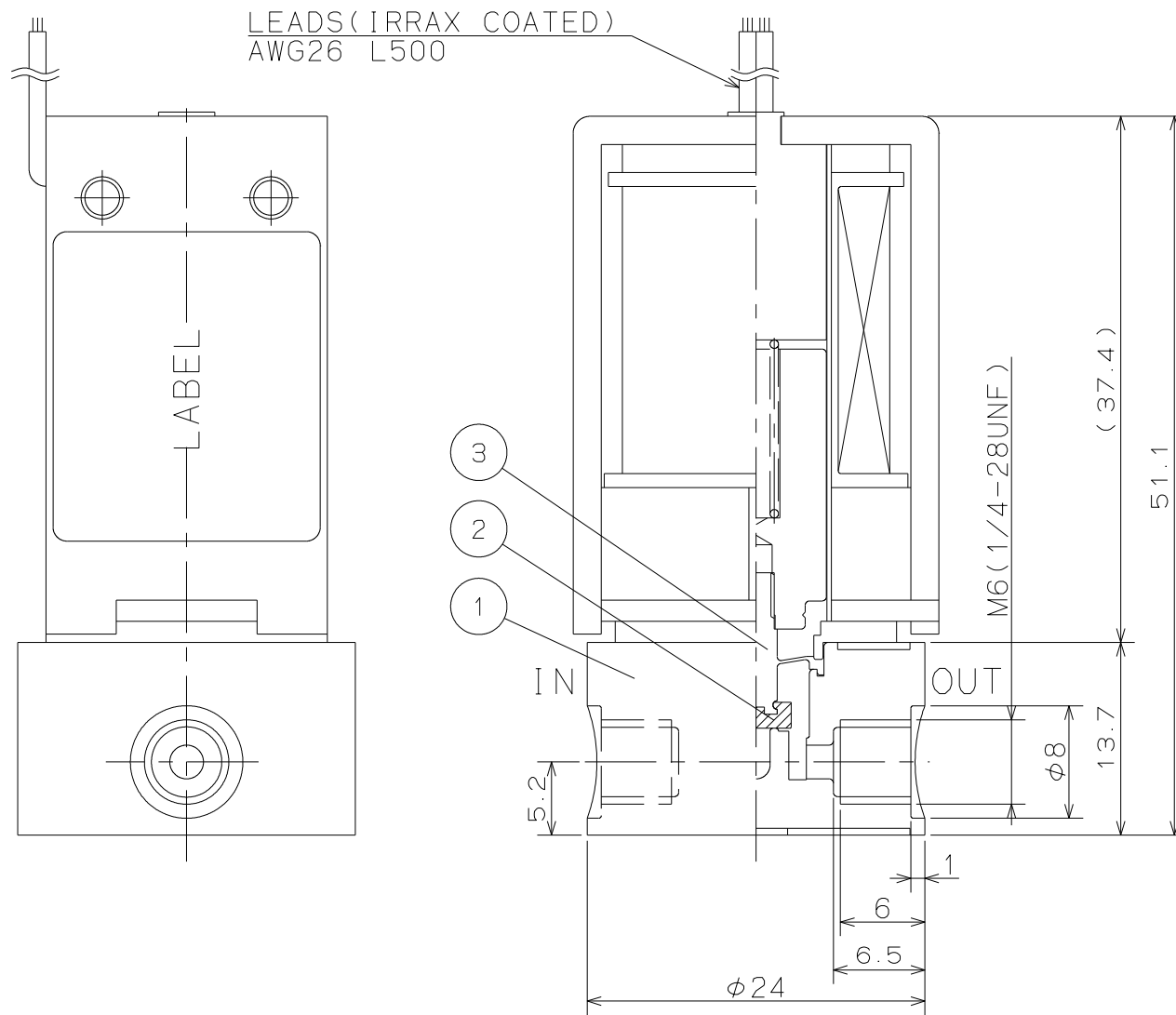


# SOLENOID VALVE

FOR REFERENCE ONLY



## SPECIFICATIONS for MODEL WLB-2R-M6(1/4U)F5

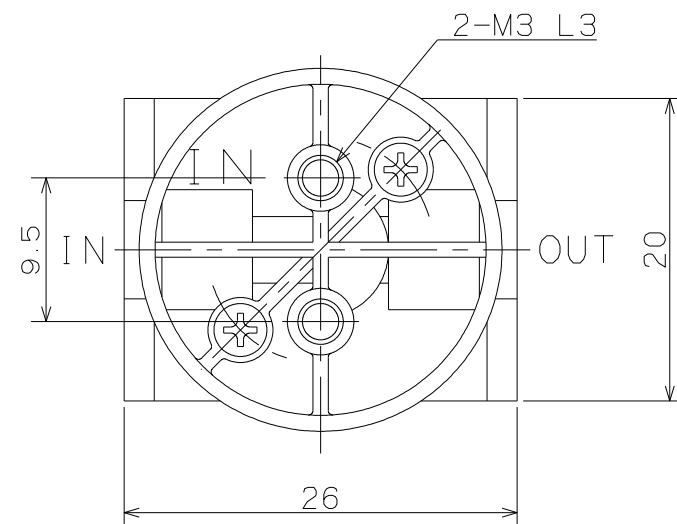
- SOLENOID TYPE : LATCHING
- ORIFICE DIAMETER : 2mm
- PORT CONNECTION : M6, 1/4-28UNF
- OPERATING PRESSURE RANGE : IN -50 ~ 200kPa  
{-375mmHg ~ 2bar}
- OUT 0 ~ 100kPa  
{0 ~ 1bar}
- FLUID MEDIA : FLUIDS CHEMICALLY COMPATIBLE WITH MATERIALS BELOW
- MEDIA TEMPERATURE RANGE : 5 ~ 50°C
- AMBIENT TEMPERATURE RANGE : 5 ~ 50°C
- RATED VOLTAGE : 12VDC, 24VDC
- POWER CONSUMPTION : 8W
- ENERGIZING TIME : 0.2s ~ 1s
- DUTY CYCLE : INTERMITTENT  
ED=10% MAXIMUM ON TIME 5min.
- INSULATION CLASS : CLASS E
- DIELECTRIC STRENGTH : 1000VAC FOR 60s

### TABLE OF LEAD COLOR, POLARITY AND VALVE STATUS

+12VDC	POLARITY : LEAD COLOR	⊕ : BLUE ⊖ : RED	⊕ : RED ⊖ : BLUE
	STATUS	OPEN → CLOSED	CLOSED → OPEN
+24VDC	POLARITY : LEAD COLOR	⊕ : BLACK ⊖ : RED	⊕ : RED ⊖ : BLACK
	STATUS	OPEN → CLOSED	CLOSED → OPEN

### NOTE

MODEL NUMBER	PORT CONNECTION
WLB-2R-M6F5	M6
WLB-2R-1/4UF5	1/4-28UNF



### WETTED MATERIALS

△						
△			3	DIAPHRAGM	PTFE	1
△			2	SOFT SEAL	FPM	1
SYM.	DATE	DESCRIPTION	1	VALVE BODY	PPS	1
REVISION			PART NO.	PART NAME	MATERIAL	REQD.
SCALE	APPROVED	CHECKED	DRAWN	SOLENOID VALVE		DRAWING NO
2/1				WLB-2R-M6(1/4U)F5		07153-00-E
A 3						