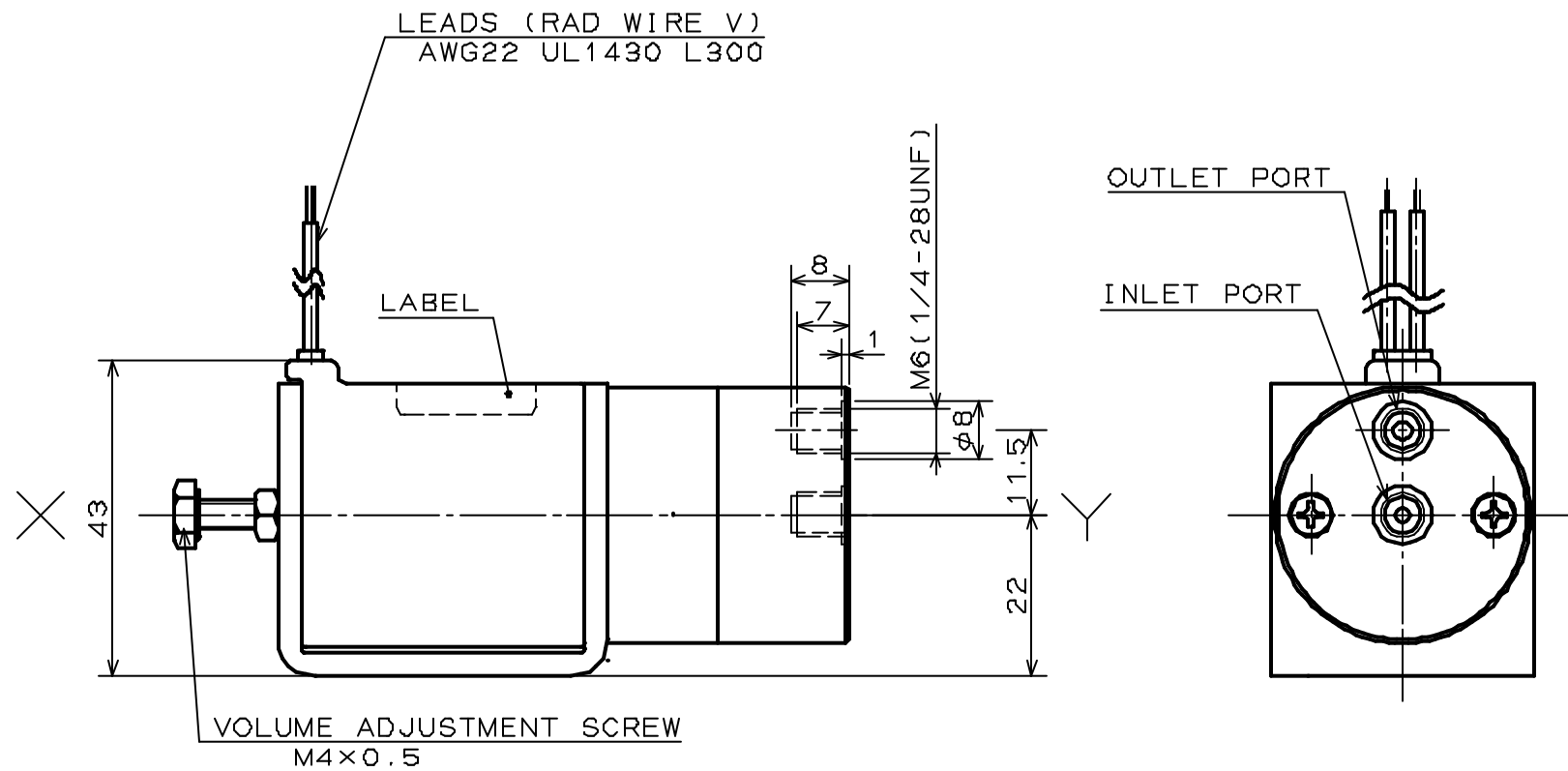


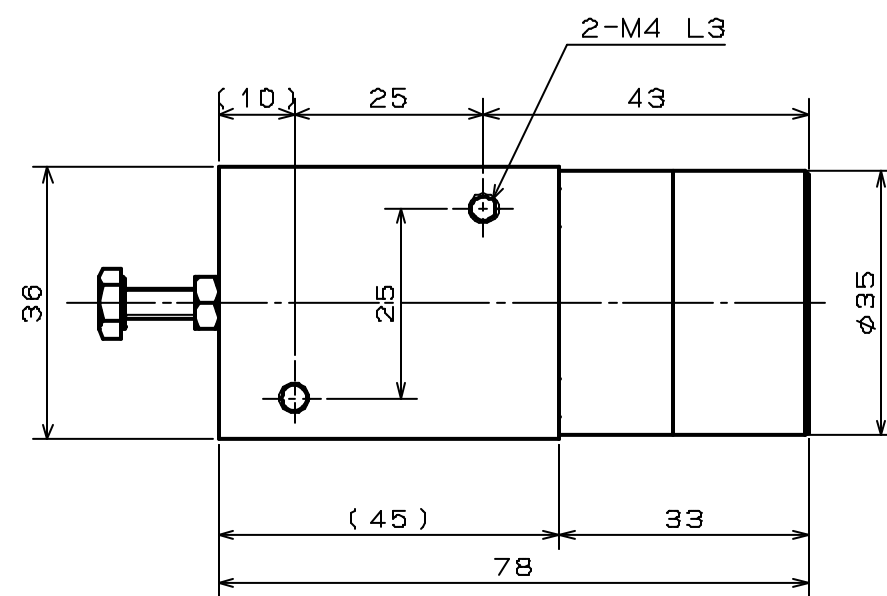
FOR REFERENCE ONLY

# METERING PUMP

## SPECIFICATIONS for MODEL PKP-500P



MAXIMUM PUMPED VOLUME	:	500 $\mu$ l (1 CYCLE)
PUMPED VOLUME ADJUSTABLE RANGE	:	50 ~ 500 $\mu$ l
MAXIMUM OPERATING FREQUENCY	:	2HZ
REPEATED PUMPED VOLUME ACCURACY	:	$\pm$ 1%
PORT CONNECTION	:	M6, 1/4-28UNF
FLUID MEDIA	:	FLUIDS CHEMICALLY COMPATIBLE WITH MATERIALS BELOW
MEDIA TEMPERATURE RANGE	:	10 ~ 40 $^{\circ}$ C
AMBIENT TEMPERATURE RANGE	:	10 ~ 40 $^{\circ}$ C
RATED VOLTAGE	:	12VDC, 24VDC
POWER CONSUMPTION	:	10W
DUTY CYCLE	:	CONTINUOUS
INSULATION CLASS	:	CLASS E
DIELECTRIC STRENGTH	:	1500VAC FOR 60s
FIXING STYLE	:	FIT ONLY HORIZONTALLY ALONG AXIS 'X-Y'



### WETTED MATERIALS

SYM.	DATE	DESCRIPTION	PART NO.	PART NAME	MATERIAL	REQD.	NOTE
$\Delta$			5	PISTON	POM/PP	1	
$\Delta$			4	DIAPHRAGM	FPM	1	
$\Delta$			3	CYLINDER	POM/PP	1	
$\Delta$			2	CHECK VALVE	SILICONE RUBBER	2	
			1	VALVE CASE	POM/PP	1	

SCALE	APPROVED	CHECKED	DRAWN	REVISION	PART NO.	PART NAME	MATERIAL	REQD.	NOTE
1/1									
A 3									

METERING PUMP			DRAWING NO	
PKP-500P			05385-00-S	