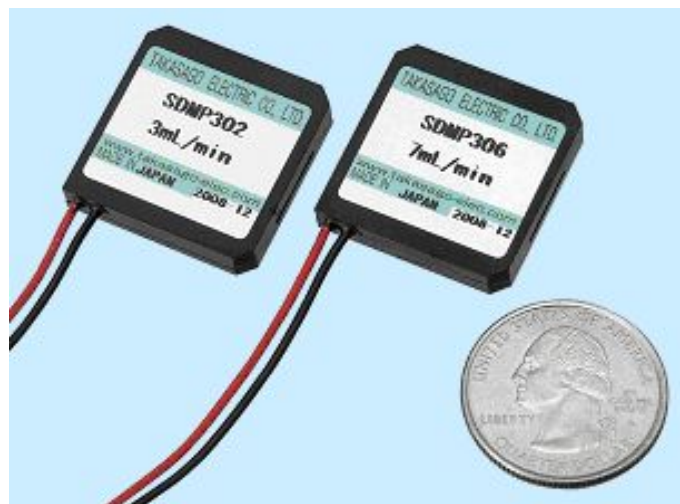


PIEZOELECTRIC MICRO PUMPS

SDMP302/306



Features

- Small-sized, lightweight and slim.
- Supply of microfluidic volumes is possible.
- No metal is used as wetted materials.
- Low noise and low power consumption.
- Flow rate is adjustable by changing drive voltage or drive frequency.
- Self-priming is possible.

Specifications

	SDMP302	SDMP306
Pump Type	Piezoelectric Diaphragm Pump	
Flow Rate	3 ml/min (Typical)	7 ml/min (Typical)
Pump Pressure	40 kPa (Typical)	45 kPa (Typical)
Drive Voltage	60 ~ 250 Vp-p	
Drive Frequency	10 ~ 60 Hz	
Suction Load Pressure	-1.0 kPa (Typical)	
Operating Temp.	5 ~ 50 °C	
Wetted Materials	COC (Cyclic Olefin Copolymer) EPDM (Ethylene Propylene Diene Monomer)	
External Dimensions	25 × 25 × 4.8 mm	
Weight	Approx. 4 g	
Input / Output Pipes	φ0.6 - φ1.2 - L2.5 mm	φ1.2 - φ2.2 - L3.5 mm

The higher flow version, SDMP320, is also available.

- Typical flow rate: 20 ml/min
- External dimensions: 33 x 33 x 5.5 mm
- Input / output pipes: φ 1.8- φ 2.8- L5.0 mm

Note: Details including specifications may change without notification.

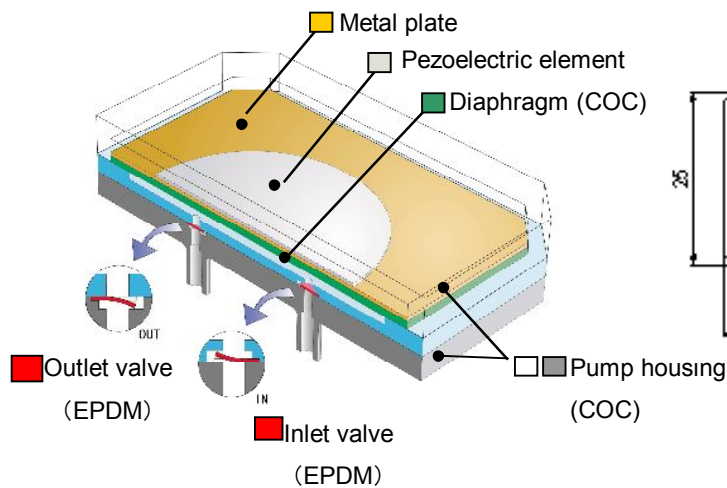
TAKASAGO ELECTRIC, INC.

66 KAKITSUBATA, NARUMI-CHO, MIDORI-KU, NAGOYA, 458-8522 JAPAN

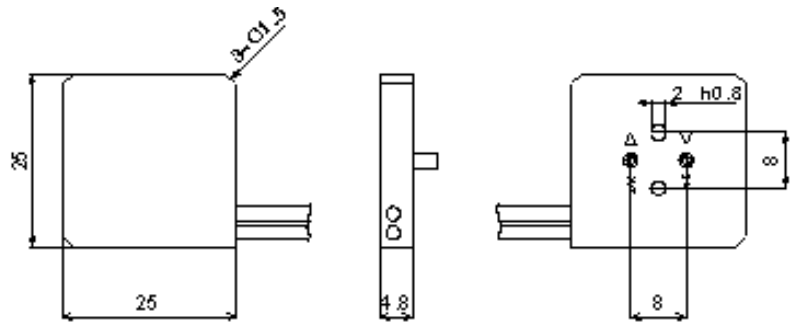
Tel +81-52-891-2301 Fax+81-52-891-7386

E-mail: info@takasago-elec.co.jp URL: <http://www.takasago-elec.com/>

Internal structure



Appearance and Dimensions



Driver Board MPD-200A

For research and development

This driver board is a thin, compact and lightweight, yet high-voltage circuit board, designed for the piezoelectric micro pumps. From a regular 5 VDC input voltage, it can easily generate the high voltage supply of approximately 250 Vp-p, 40 Hz necessary for driving the micro pumps.



Item	Specifications
Input Voltage	5 VDC \pm 5%
Output Frequency	1 ~ 60 Hz
Output Voltage	50 ~ 340 Vp-p
Number of Pumps Connectable	2 pieces (maximum)
External Dimensions, Weight	30 x 30 x 15 mm, approx. 9 g

Controller MPC-200A

For research and development

This is a compact and lightweight controller that can provide the high voltage power necessary for driving the micro pumps. It is user-friendly with a front panel digital display for configuring the output voltage and output frequency, and a memory function to store the latest setting used.



Item	Specifications
Input Voltage	5 VDC \pm 5%
Output Frequency	1 ~ 60 Hz
Output Voltage	60 ~ 300 Vp-p
Number of Pumps Connectable	2 pieces (maximum)
External Dimensions, Weight	75 x 34 x 100 mm, approx. 140 g
Attachment	AC adapter

Tygon® Tubing (accessory)

Product Name: Tygon® 2001(for methanol)

Size: I.D. 0.79 mm (for SDMP302), I.D. 1.59 mm (for SDMP306), I.D. 2.38 mm (for SDMP320)

* Note : If the flow decreases with the above tubing, please use the larger size tubing.

* Tygon® : T.M. of Saint-Gobain Performance Plastics.