

PEEK Moulded Valve MTV-K Series



- PEEK is as chemically inert as Teflon but being harder, ensures that fittings remain tightly installed.
- Threaded type (1/4-28UNF or M6) and Barbed type are available for port connection
- Unique “Soft-seal” prevents leakage problem caused by particulate matter in the fluid.
- A high pressure version (600kPa rated) is available in this series.

TAKASAGO ELECTRIC, INC.

66 KAKITSUBATA NARUMI-CHO, MIDORI-KU, NAGOYA, 458-8522 JAPAN

Tel +81-52-891-2301 Fax+81-52-891-7386

E-mail: info@takasago-elec.co.jp URL: <http://www.takasago-elec.com>

Specifications

Model Number	MTV-2K-NM6(1/4U)F	MTV-2K-NM6(1/4U)G	MTV-3K-NM6(1/4U)F	MTV-3K-NM6(1/4U)G
Type*	2 Way Normally Closed		3 Way	
Orifice Diameter	2mm		2mm	
Port Connection	M6, 1/4-28UNF or Barbed		M6, 1/4-28UNF or Barbed	
Operating pressure	IN : -90~200kPa (-675mmHg~2.0bar) OUT : 0~100kPa (0~1.0bar)		COM. : -90~200kPa (-675mmHg~2.0bar) N.C., N.O. : 0~100kPa (0~1.0bar)	
Fluid Temp. Range	0~60°C	5~60°C	0~60°C	5~60°C
Ambient Temp. Range	0~60°C	5~60°C	0~60°C	5~60°C
Rated Voltage*	12 or 24VDC		12 or 24VDC	
Power Consumption	2.6W		2.6W	
Operating Duration	Continuous Duty		Continuous Duty	
Coil Temp. Increase*	MAX.50°C		MAX.50°C	
Internal Volume	IN : 30 μl OUT : 240 μl		COM : 80 μl NC : 83 μl NO : 170 μl	
Insulation Class	Class B		Class B	
Dielectric Strength	1500VAC for 60s		1500VAC for 60s	
Diaphragm Material	PTFE		PTFE	
Seal Material	FPM	Perfluoroelastomer	FPM	Perfluoroelastomer
Body material	PEEK		PEEK	

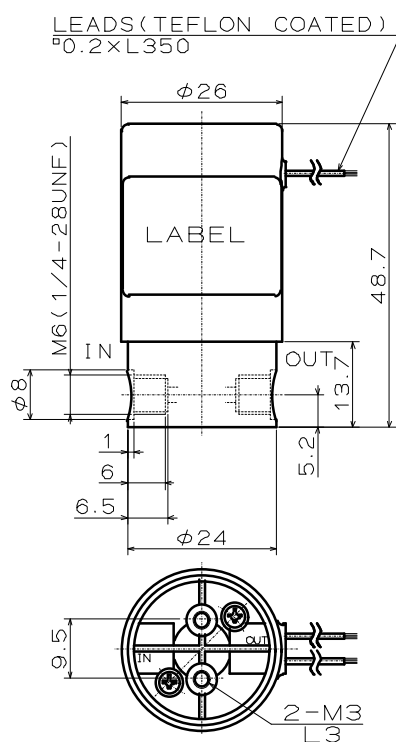
Notes (*)

Type: 2-way normally open is available on request.

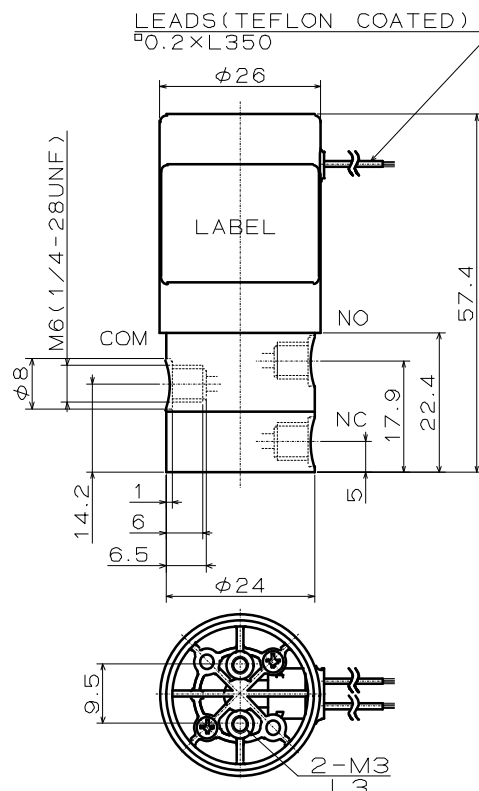
Rated Voltage: Other voltages are available on request.

Coil Temp. Increase: From room temperature when continuously energized

MTV-2K-NM6(1/4U)F



MTV-3K-NM6(1/4U)F



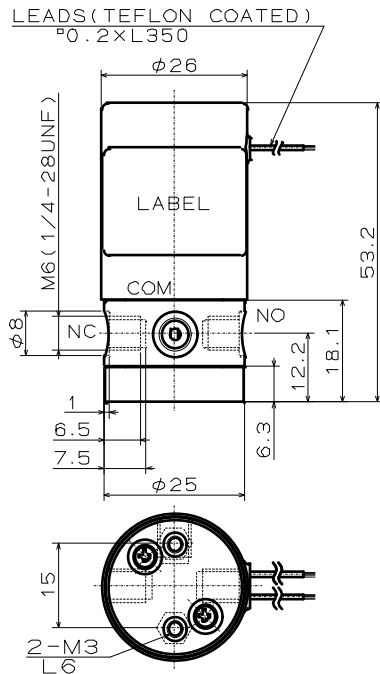
Specifications

Model Number	MTV-3-NM6(1/4U)KG	MTV-3-M6(1/4U)KGH
Type	3 way	3 way
Orifice Diameter	1.8mm	1.6mm
Port Connection	M6 or 1/4-28UNF	M6 or 1/4-28UNF
Operating pressure	COM: -80~200kPa N.C., N.O.: 0~100kPa	COM: -80~600kPa N.C., N.O.: 0~500kPa
Fluid Temp. Range	5~60°C	5~60°C
Ambient Temp. Range	5~50°C	5~40°C
Rated Voltage	12 or 24VDC	24VDC
Power Consumption	4.4W	9W
Operating Duration	Continuous Duty	Intermittent (4min、ED 20%)
Coil. Temp. Increase*	MAX.75°C	—————
Internal Volume	COM: 61 μl N.C., N.O.: 72 μl	COM: 61 μl N.C., N.O.: 72 μl
Insulation Class	Class B	Class B
Dielectric Strength	1500VAC for 60s	1500VAC for 60s
Diaphragm Material	PTFE	PTFE
Seal Material	Perfluoroelastomer	Perfluoroelastomer
Body Material	PEEK	PEEK (Optionally PPS)

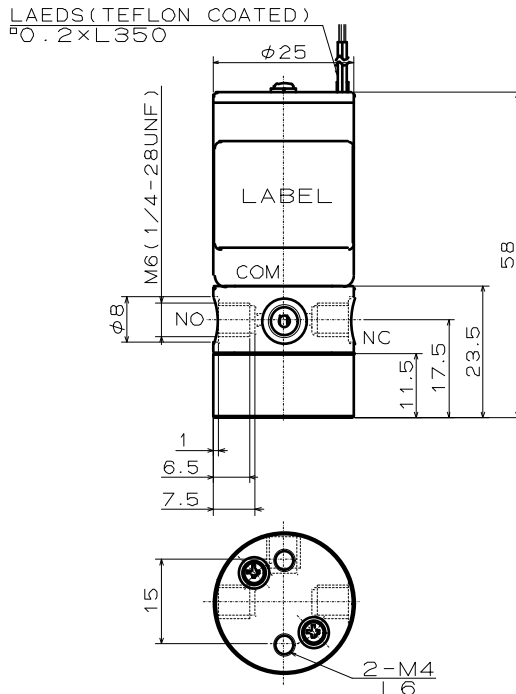
Notes (*)

Coil Temp. Increase: From room temperature when continuously energised

MTV-3-NM6(1/4U) KG



MTV-3-M6(1/4U) KGH



VALVE BODY MATERIAL, PEEK (POLYARYLETHETERKETONE)

- Features:
- High Resistance to Chemicals (See Table Below)
 - High Rigidity And High Mechanical Strength
 - Deformation Temperature: 150°C and above.

Chemical Compatibility Comparison Data

	PEEK	PPS	PTFE	SUS316	FPM (FKM)	EPDM
Acetaldehyde	A	A	A	A	D	B
Acetone	A	A	A	A	D	B
Ammonia	A	B	A	A	A	A
Hydrochloric Acid (20%)	A(10%)	A	A	D	A	A
Sea Water	A	A	A	C	A	—
Hydrogen Peroxide (30%)	A	B	A	C	A	C
Sodium Hydroxide (50%)	—	A	A	C	D	A
Xylene	A	A	A	A	A	—
Chloroform	—	A	A	A	D	D
Acetic Acid (10%)	A	A	A	A	B	D
Pure Water (Ion-Exchange Water)	A	A	A	A	A	A
Sodium Hypochlorite (5%)	A	A	A	D	A	B
Nitric Acid (10%)	A	A	A	A	A	B
Tetrahydrofuran	A	A	A	A	D	—
Toluene	A	A	A	A	B	D
Benzene	A	A	A	A	B	D
Formalin (37%)	A	A	A	C	A	A
Sulphuric Acid (30%)	B	A	A	D	A	A
Phosphoric Acid	A	A	A	D	A	—

A: Compatible

B: Mostly Compatible

C: Compatible Under Some Conditions

D: Not Compatible

—: No Data

- The above are only reference data. Testing with your application is recommended.