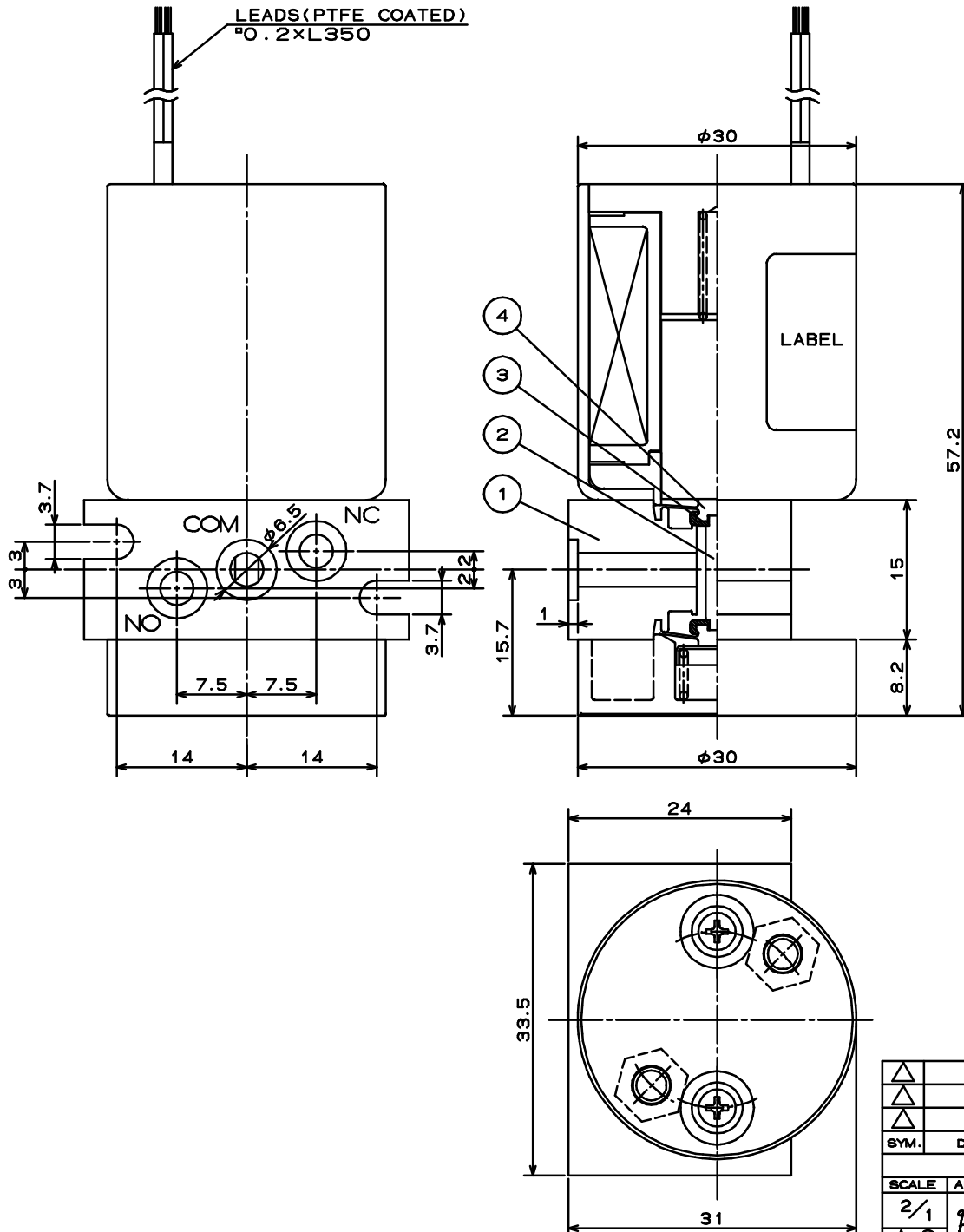


TAKASAGO CLEAN VALVE

SPECIFICATIONS for MODEL MLV-3-MFG-1

| | |
|---------------------------|--|
| ORIFICE DIAMETER | : 3.5mm |
| PORT CONNECTION | : O-RING (S4) |
| OPERATING PRESSURE RANGE | : COM -40 ~ 50kPa {-300mmHg ~ 0.5bar} |
| | : NC. NO 0 ~ 40kPa {0 ~ 0.4bar} |
| FLUID MEDIA | : FLUIDS CHEMICALLY COMPATIBLE WITH MATERIALS BELOW |
| MEDIA TEMPERATURE RANGE | : 0 ~ 60°C |
| AMBIENT TEMPERATURE RANGE | : 0 ~ 60°C |
| RATED VOLTAGE | : 24VDC |
| POWER CONSUMPTION | : 4.4W |
| OPERATING DURATION | : CONTINUOUS DUTY |
| COIL TEMPERATURE INCREASE | : MAX. 60°C FROM ROOM TEMPERATURE |
| INSULATION CLASS | : CLASS B |
| DIELECTRIC STRENGTH | : 1500VAC FOR 60s |
| INTERNAL VOLUME | : COM 240mm ³ NC. NO 393mm ³ EACH |



FOR REFERENCE ONLY

WETTED MATERIALS

| SYM. | DATE | REVISION | DESCRIPTION | PART NO. | PART NAME | MATERIAL | REQD. | NOTE |
|------|------|----------|-------------|----------|-------------|----------------|-------|------|
| △ | | | | 4 | DIAPHRAGM | PTFE | 2 | |
| △ | | | | 3 | SOFT SEALER | DAIEL PERFLUOR | 2 | |
| △ | | | | 2 | STEM | PCTFE | 1 | |
| | | | | 1 | VALVE BODY | PTFE | 1 | |

| | | | | | | | |
|-------|----------|---------|--------|----------------------|--|-------------|--|
| SCALE | APPROVED | CHECKED | DRAWN | TAKASAGO CLEAN VALVE | | DRAWING NO | |
| 2/1 | H. Anai | N. Anai | K. Abe | MLV-3-MFG-1 | | 997049-00-E | |
| A 3 | | | | | | | |