

Boxer Pumps > Products > Liquid Diaphragm Pump

3K liquid diaphragm pump with DC Motor.

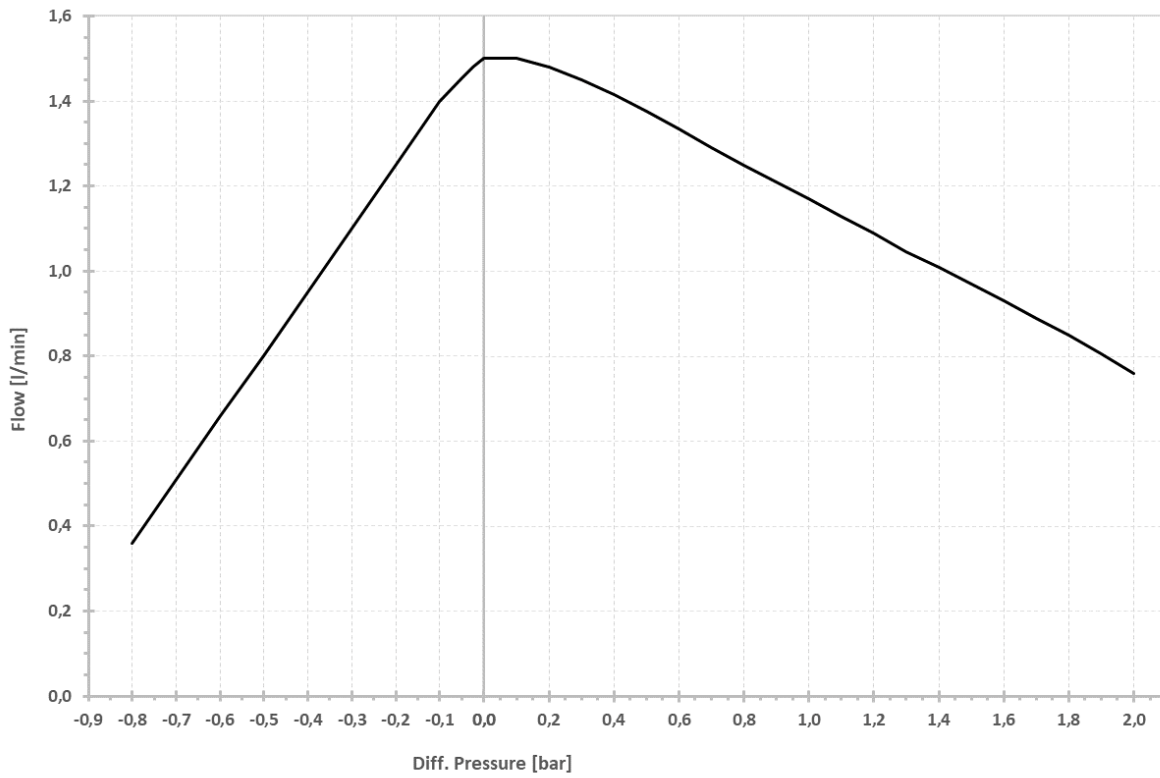


Technical Data

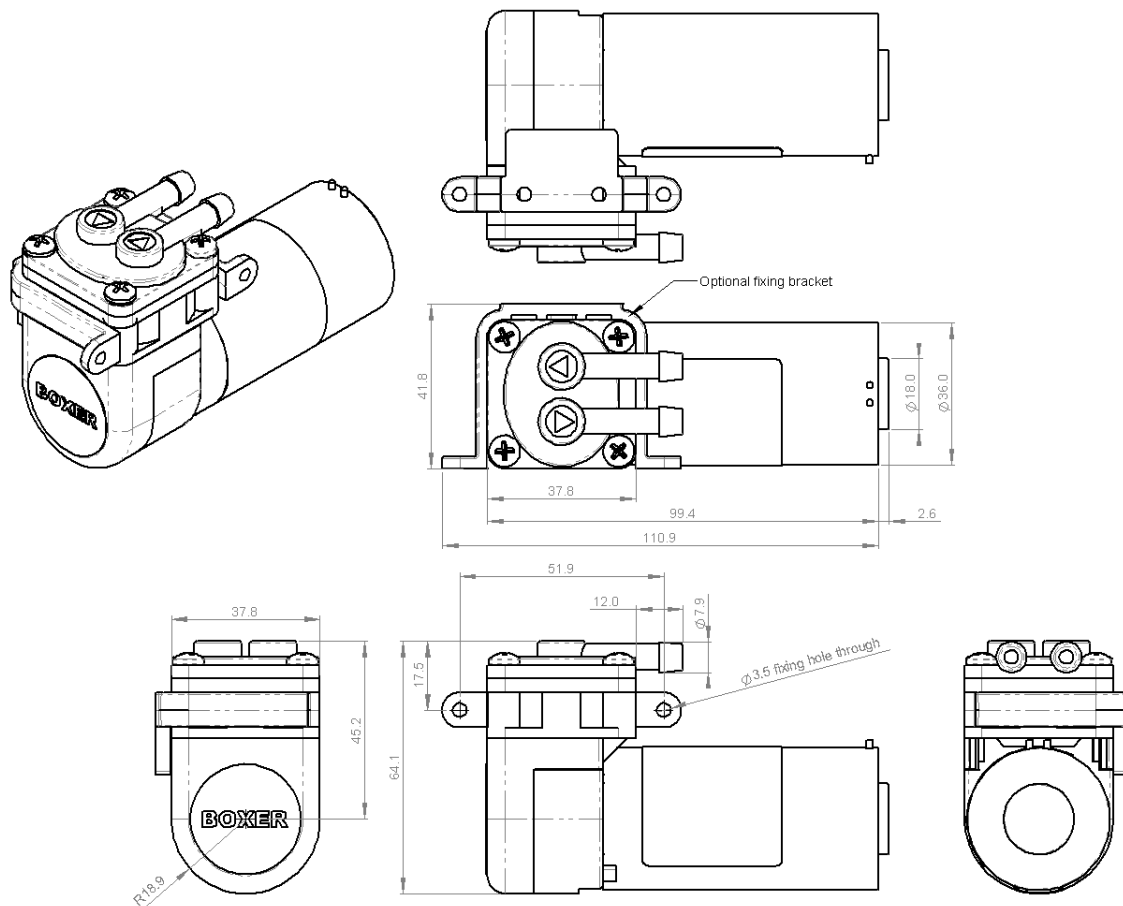
Free Flow	1.5 l/min
Max Pressure	2.0 bar
Max Vacuum	-800 mbar
Free Flow (gas / dry)	1.9 l/min
Max Suction Height (dry)	4.0 m H ₂ O
Voltage Options	12 / 24 V DC
Power Consumption	3.3 to 14.0 W
Terminal Resistance	6.5 Ω / 25.0 Ω (12 V / 24 V)
Wire Length	300 mm (7 mm stripped / tinned)
Wire Colours	Red (+V), Black (GND)
Wire Gauge	22 AWG
EMC Suppression	2 x L (2 x 3.9 μH)
Max. Motor Surface Temperature	80 °C
Motor Insulation Class	E
Recommended PWM Frequency	> 16 kHz
Max Ambient Operating Temperature	50 °C
Max Media Temperature	100 °C
Elastomer Options:	
Diaphragm	EPDM / Nitrile / Viton / Silicone
Valves	EPDM / Nitrile / Viton / Silicone
O-Rings	EPDM / Nitrile / Viton / Silicone
Eccentric Options:	
	0.8 / 1.0 mm
Other Wetted Parts	PPS (polyphenylene sulphide)
Mounting	Supplied with mounting bracket (see drawing, page 2)
Flow Control	→ PWM Flow Controller
Weight	385 g

Bold indicates configuration applicable to this datasheet

Flow Curve



Drawing



Links to Drawing and STEP file:
 → [Drawing \(.png\)](#)
 → [STEP \(.zip\)](#)

[Boxer Pumps](#) > [Products](#) > [Liquid Diaphragm Pump](#)

Order Information

Part Number	Description
3211.129	3K 12 V DC
3211.252	3K 24 V DC

Please enquire for part numbers of other configurations.

BOX-it (Webshop for online purchase)

Sample quantities are available for direct online purchase:



→ [BOX-it](#)

Additional Information (Links):

→ [3K Webpage](#)

→ [Boxer liquid diaphragm pump overview](#)

All data is representative for initial selection purposes. It is the responsibility of the user to determine suitability for the intended use. Technical changes reserved.