

Boxer Pumps > Products > Liquid Diaphragm Pump

19K liquid diaphragm pump with DC Motor.

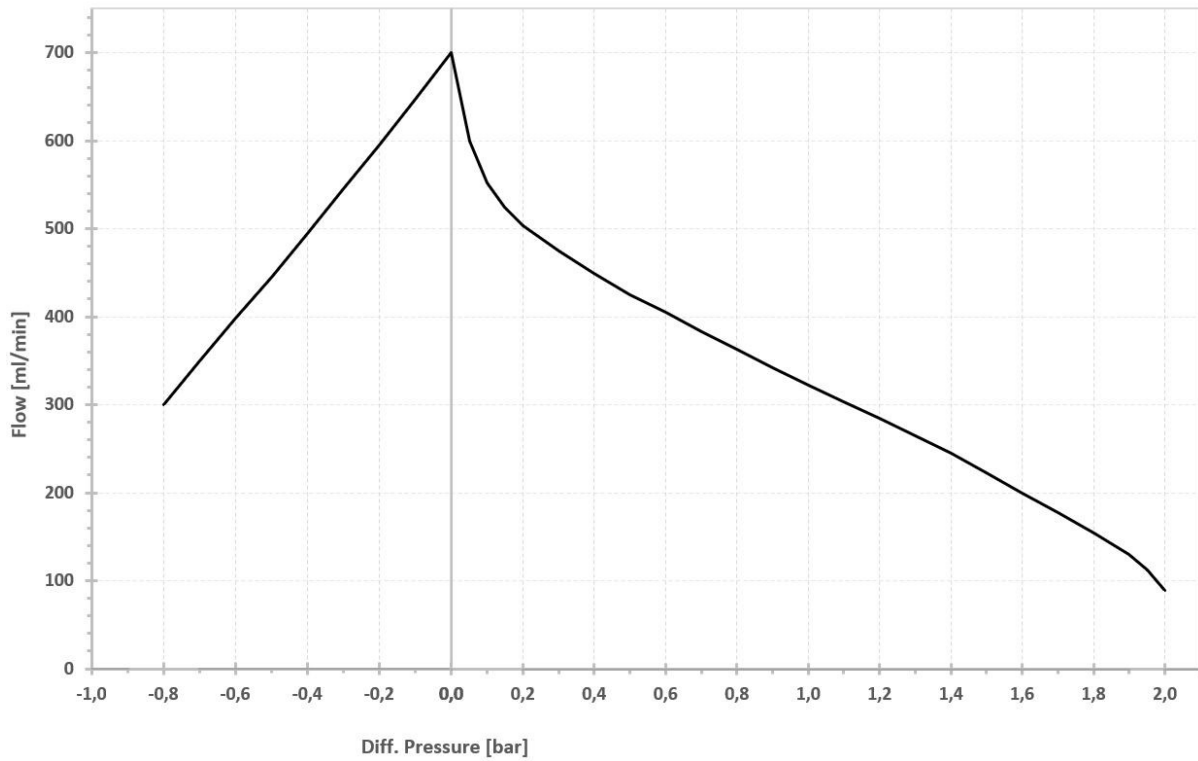


Technical Data

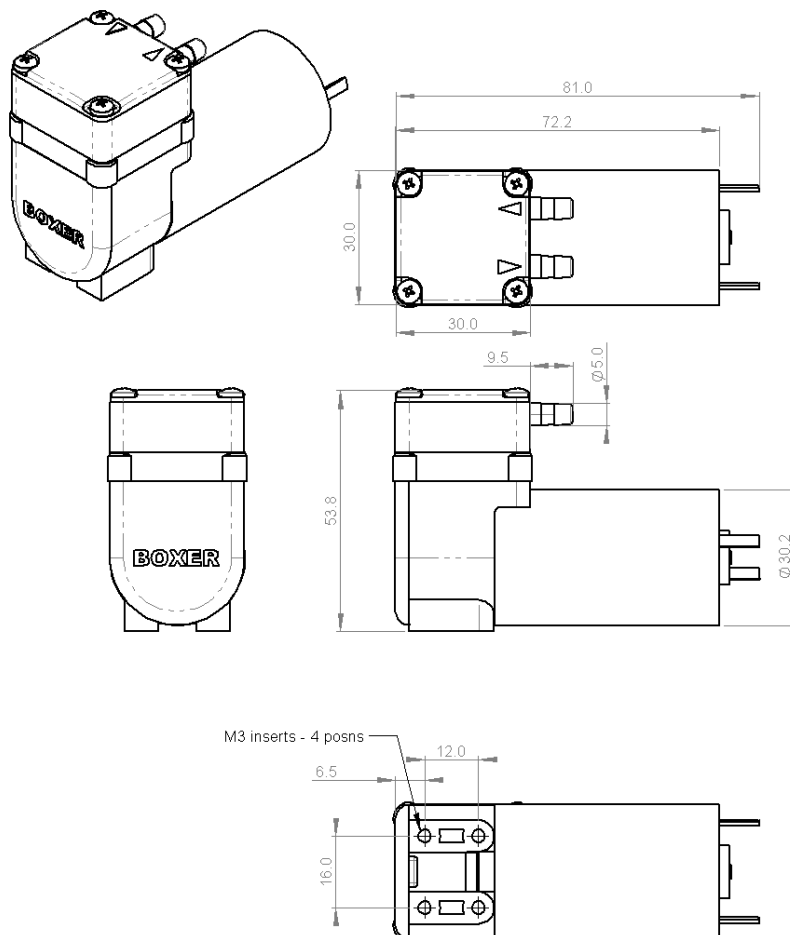
Free Flow	700 ml/min
Max Pressure	2.0 bar
Max Vacuum	8.0 m H ₂ O
Free Flow (gas / dry)	800 ml/min
Max Suction Height (dry)	3.0 m H ₂ O
Voltage Options	12 / 24 V DC
Power Consumption	2.6 to 9.6 W
Terminal Resistance	10.9 / 42.0 Ω (12 V / 24 V)
Inductance	9.8 / 32.7 mH (12 / 24 V)
Motor Termination	Solder / Crimp Tags
Max. Motor Surface Temperature	80 °C
Motor Insulation Class	E
Recommended PWM Frequency	> 16 kHz
Max Ambient Operating Temperature	50 °C
Max Media Temperature	100 °C
Elastomer Options:	
Diaphragm	EPDM / Nitrile / Viton (FKM) / FFKM / Silicone
Valves	EPDM / Nitrile / Viton (FKM) / FFKM / Silicone
Gasket	EPDM / Nitrile / Viton (FKM) / FFKM / Silicone
Eccentric Options:	0.4 / 0.6 / 1.0 mm
Other Wetted Parts	PPS (polyphenylene sulphide)
Mounting	Optional anti-vibration mounting foot
Flow Control	→ PWM Flow Controller
Weight	175 g

Bold indicates configuration applicable to this datasheet

Flow Curve



Drawing



Links to Drawing and STEP file:
 → [Drawing \(.jpg\)](#)
 → [STEP \(.zip\)](#)

Boxer Pumps > Products > Liquid Diaphragm Pump

Order Information

Part Number	Description
19201.016	19K 12 V DC
19201.017	19K 24 V DC

Please enquire for part numbers of other configurations.

BOX-it (Webshop for online purchase)

Sample quantities are available for direct online purchase:



→ [BOX-it](#)

Additional Information (Links):

→ [19K webpage](#)

→ [Boxer liquid diaphragm pump overview](#)

All data is representative for initial selection purposes. It is the responsibility of the user to determine suitability for the intended use. Technical changes reserved.