

FOR REFERENCE ONLY

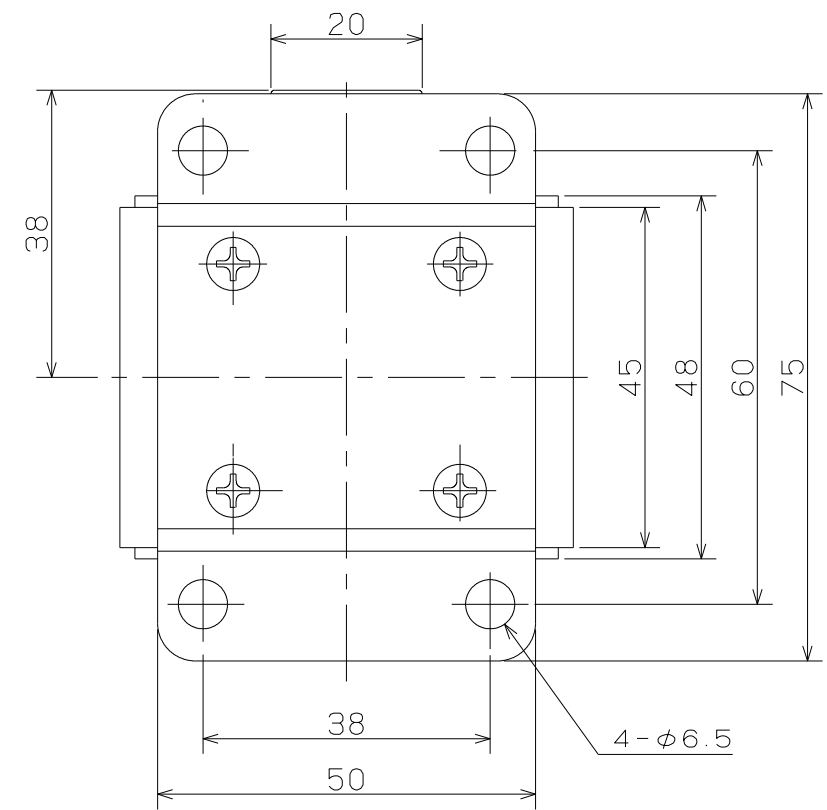
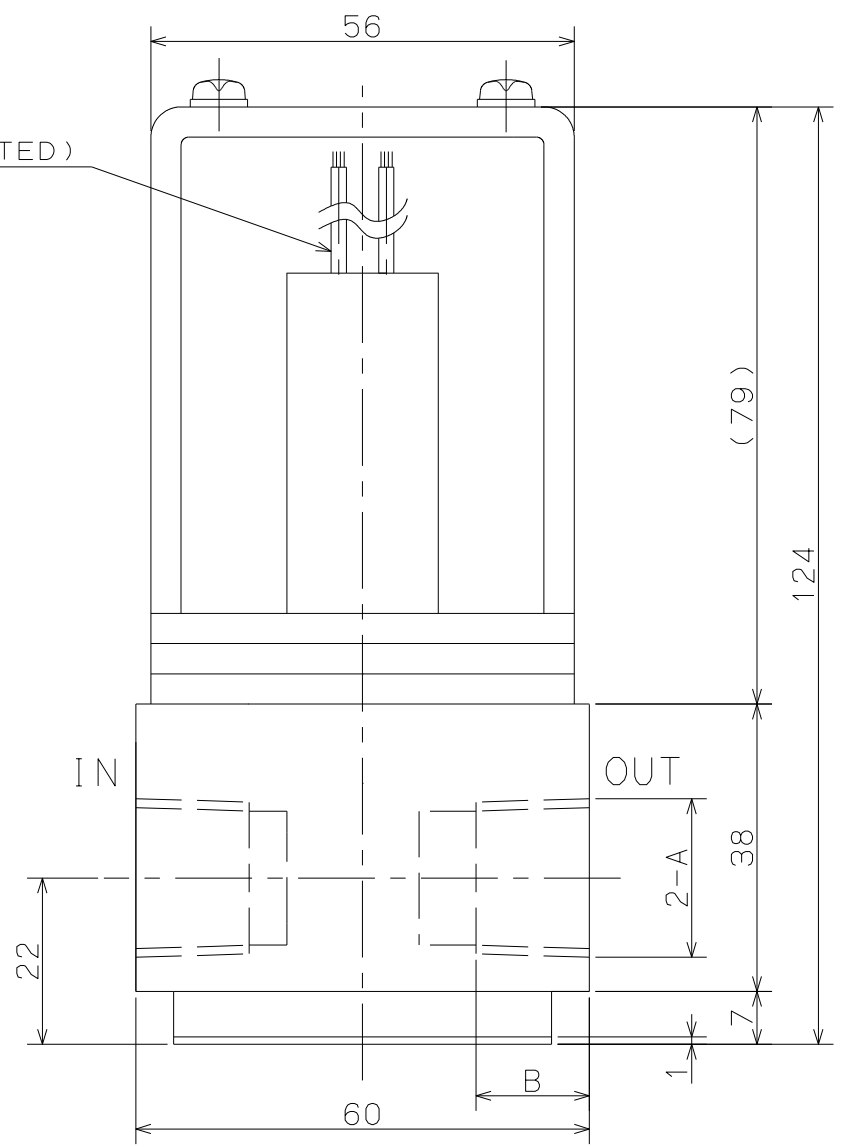
SOLENOID VALVE

SPECIFICATIONS for MODEL HTV-2-3/8, 1/2

- ORIFICE DIAMETER : 10mm
- PORT CONNECTION : Rc3/8, 1/2
- OPERATING PRESSURE RANGE : IN -90 ~ 100kPa
(-600mmHg ~ 1.0bar)
- OUT 0 ~ 50kPa
(0 ~ 0.5bar)
- FLUID MEDIA : FLUIDS CHEMICALLY COMPATIBLE WITH MATERIALS BELOW
- MEDIA TEMPERATURE RANGE : 0 ~ 60°C
- RATED VOLTAGE : 12, 24, 90VDC
100VAC(SILICON RECTIFIER ATTACHED)
- POWER CONSUMPTION : 10W
- DUTY CYCLE : CONTINUOUS
- INSULATION CLASS : CLASS E
- DIELECTRIC STRENGTH : 1500VAC FOR 60s

MODEL NUMBERS

MODEL NUMBER	PORT CONNECTION(A)	B
HTV-2-3/8	Rc1/8	12
HTV-2-1/2	Rc1/2	15



WETTED MATERIALS

PART NAME	MATERIAL	REQD.	NOTE
DIAPHRAGM	PTFE	1	
VALVE BODY	PTFE	1	

SOLENOID VALVE
HTV-2-3/8, 1/2