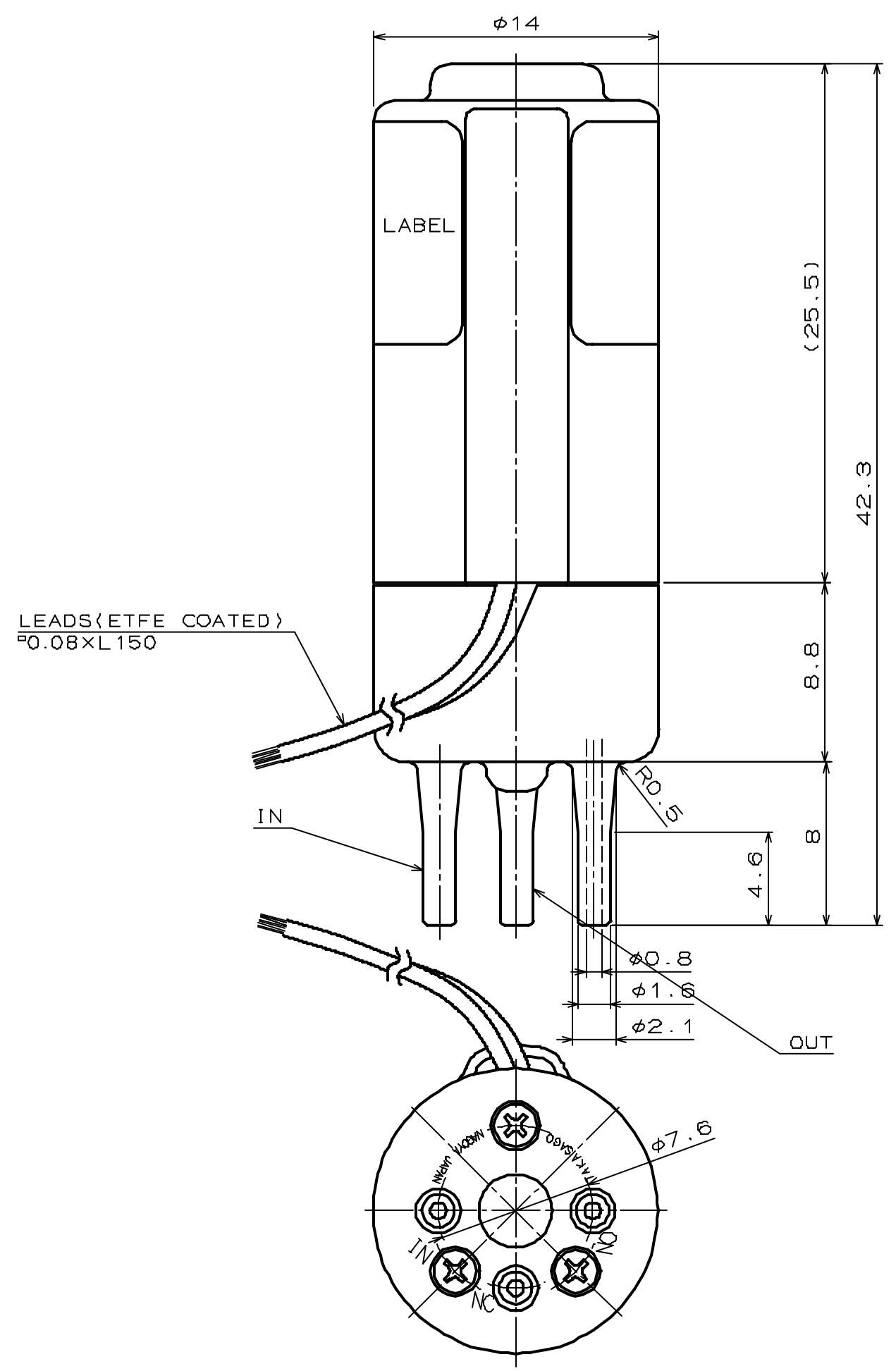


FOR REFERENCE ONLY

SOLENOID VALVE

SPECIFICATIONS for MODEL EXAKN-2-NC

- ORIFICE DIAMETER : 0.8mm
- OPERATING PRESSURE RANGE : IN -40 ~ 300kPa
[-300mmHg ~ 3bar]
- OUT 0 ~ 150kPa
[0 ~ 1.5bar]
- FLUID MEDIA : FLUIDS CHEMICALLY COMPATIBLE WITH MATERIALS BELOW
- MEDIA TEMPERATURE RANGE : 0 ~ 60°C
- AMBIENT TEMPERATURE RANGE : 0 ~ 60°C
- RATED VOLTAGE : 12VDC, 24VDC
- POWER CONSUMPTION : 1.2W
- DUTY CYCLE : CONTINUOUS
- COIL TEMPERATURE INCREASE : MAX.47°C FROM ROOM TEMPERATURE
- INSULATION CLASS : CLASS B
- DIELECTRIC STRENGTH : 1500VAC FOR 60s



WETTED MATERIALS

DIAPHRAGM	PTFE	2	
VALVE BODY A	ETFE	1	
RETAINER	DAIEL PERFLUOR	1	
STOPPER	ETFE	2	
VALVE BODY B	ETFE	1	
SPRING CASE	PVDF	1	
PART NAME	MATERIAL	REQD.	NOTE

SOLENOID VALVE
EXAKN-2-NC