

Boxer Pumps > Products > Diaphragm Pump

5KD diaphragm pump with economic iron core motor.

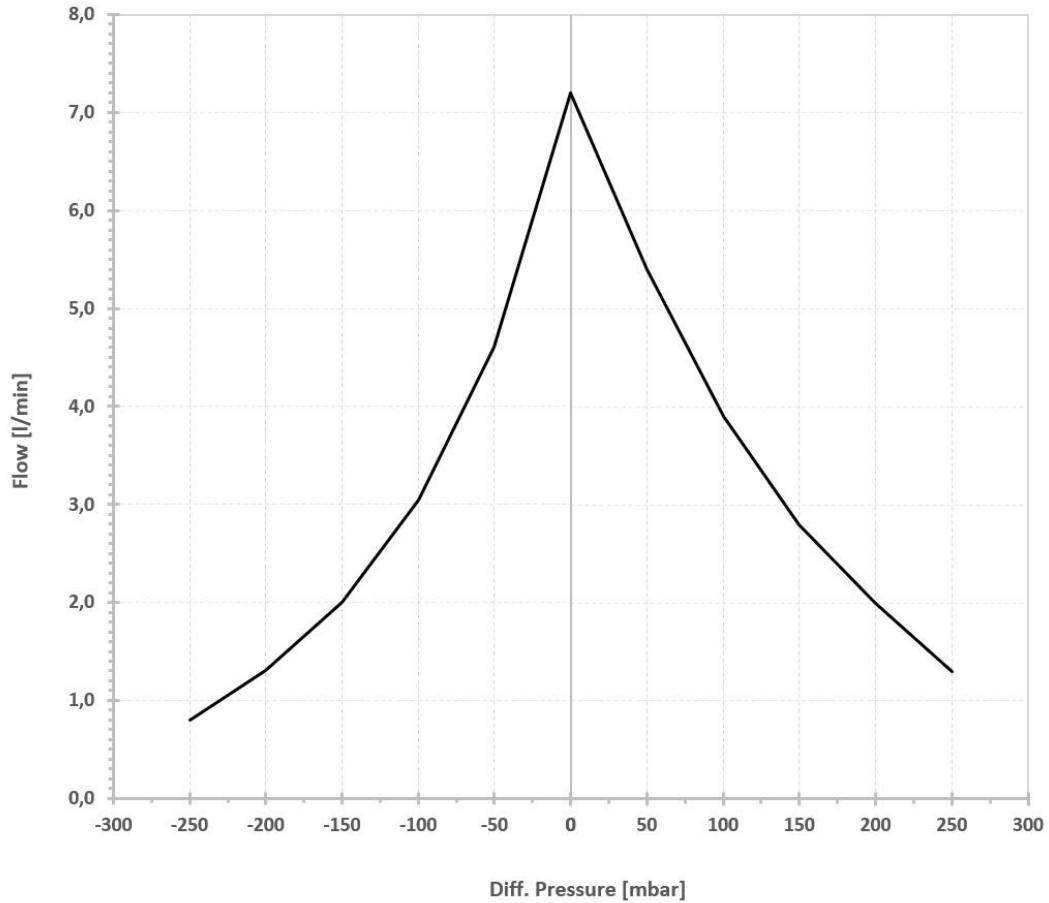


Technical Data

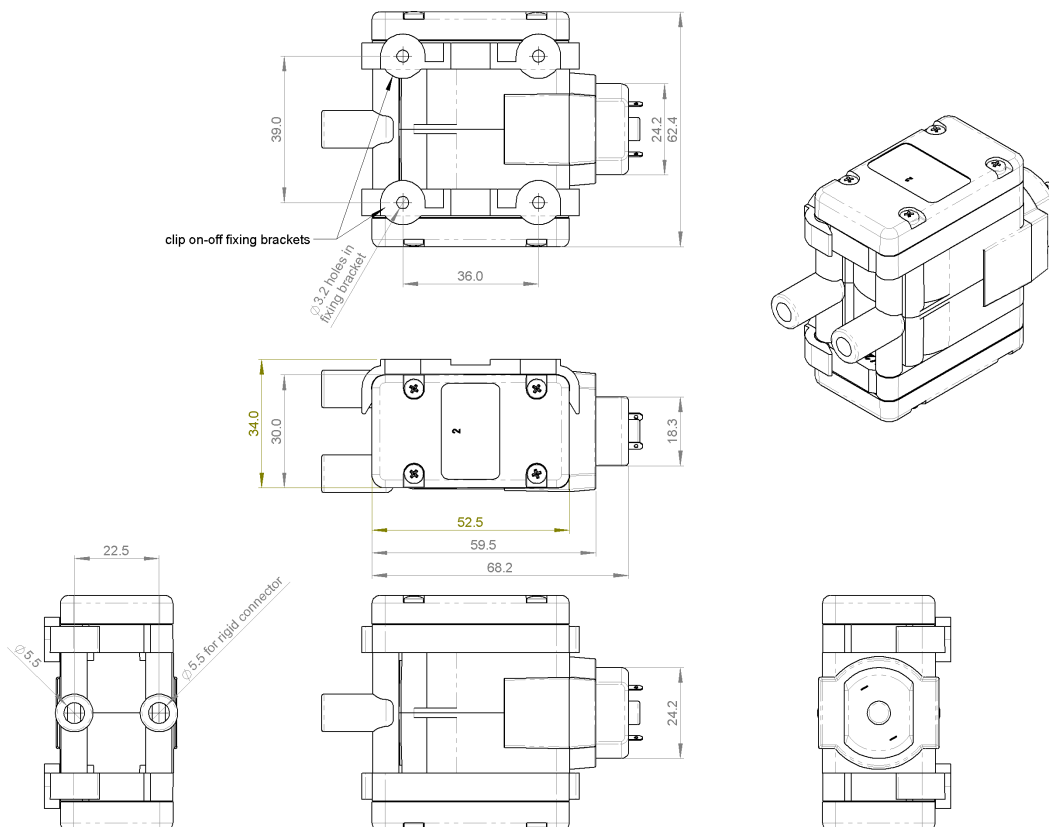
Free Flow	7.2 l/min
Max Pressure	+250 mbar
Max Vacuum	-250 mbar
Inlet	Clear silicone T-Piece, ID 5.5 mm
Outlet	Red silicone T-Piece, ID 5.5 mm
Voltage Options	12 V DC
Power Consumption	2.2 to 5.5 W
Motor Termination	Solder / Crimp Tags
Terminal Resistance	20.4 Ω
Terminal Inductance	14.4 mH
Insulation Class	F
Max Ambient Operating Temperature	50 °C
Max Media Temperature	100 °C
Elastomer Options:	
Diaphragm	EPDM / Silicone
Valves	EPDM / Silicone
Gaskets	EPDM / Silicone
Eccentric Options:	1.00 / 1.25 mm
Other Wetted Parts	PPS (polyphenylene sulphide)
Mounting	Supplied with 2 mounting clips (drawing, page 2)
Flow Control	→ PWM Flow Controller
Weight	145 g

Bold indicates configuration applicable to this datasheet

Flow Curve



Drawing



Links to Drawing and STEP file:
 → [Drawing \(.png\)](#)
 → [STEP \(.zip\)](#)

[Boxer Pumps](#) > [Products](#) > [Diaphragm Pump](#)

Order Information

Part Number	Description
5322.001	5KD 12 V DC

Please enquire for part numbers of other configurations.

BOX-it (Webshop for online purchase)

Sample quantities are available for direct online purchase:



→ [BOX-it](#)

Additional Information (Links):

- [5KD Webpage](#)
- [Boxer diaphragm pump overview](#)

All data is representative for initial selection purposes. It is the responsibility of the user to determine suitability for the intended use. Technical changes reserved.